

INSTALLATION MANUAL

FRONT BUMPER GUARD TACOMA 2016

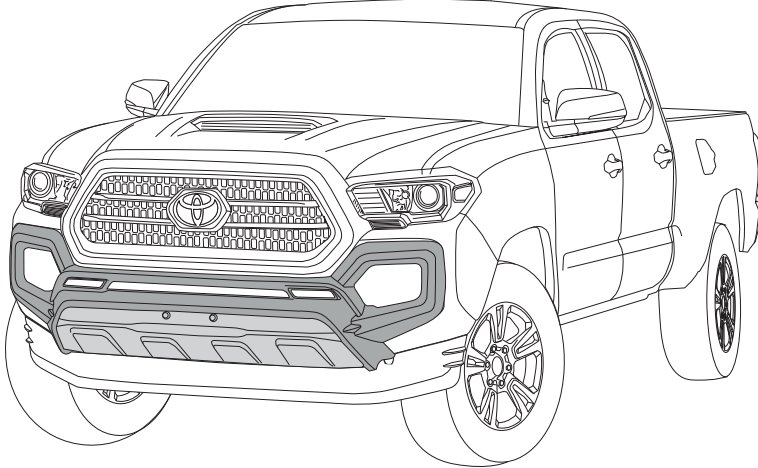
PART #: 1107CNEUTO02A04



**READ CAREFULLY
BEFORE INSTALLATION**



**WASH BEFORE
INSTALLING**



**WE RECOMMEND
2 PERSONS FOR
INSTALLATION**

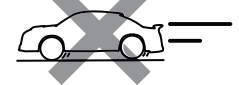
AFTER INSTALLING

**DO NOT
WASH CAR**

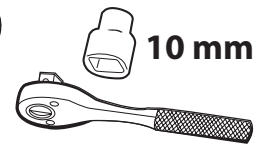
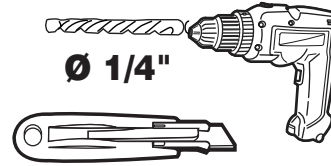


24 hrs

**DRIVE SLOWLY
25 mph max**



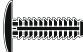




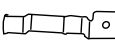

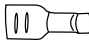


TOOLS



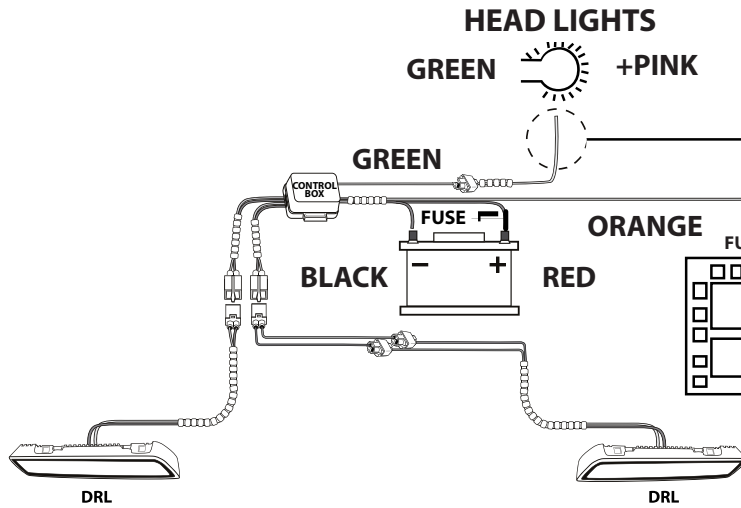
CHECK LIST

*Already installed in the part

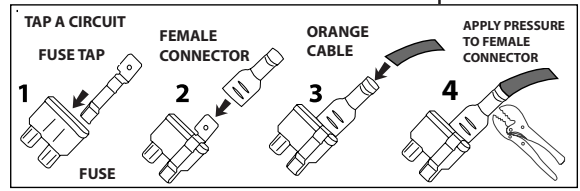
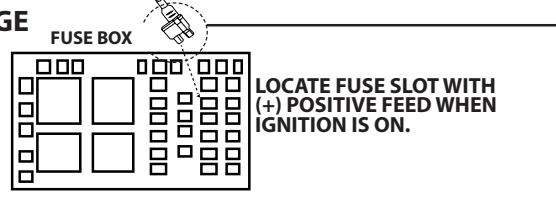
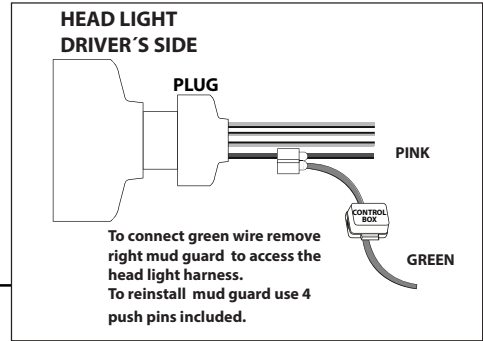
ITEM	DESCRIPTION	DRAWING	AMOUNT
A	*VHB TAPE		Included in all parts
B	DRL LED OSRAM PX-5		1 set
C	PUSH PIN WURTH 46		6 pcs
D	GREASE PENCIL		1 pc
E	AUTOMOTIVE ADHESION PROMOTER		1 pc
F	POLYURETHANE ADHESIVE		1 pc
G	* WASHER 3/16		4 pcs
H	FUSE TAPS		1 pc
I	FUSE		1 pc
J	INSULATED FEMALE CONNECTOR		1 pc

INSTALLATION MANUAL

1 DRL ELECTRICAL INSTALLATION DIAGRAM



- ORANGE: CABLE CONNECTED TO IGNITION (+) POSITIVE(+) FEED ON FUSE BOX OR WIRE
- BLACK: BATTERY NEGATIVE(-)
- RED: BATTERY POSITIVE(+)
- GREEN: HEAD LIGHTS (+)

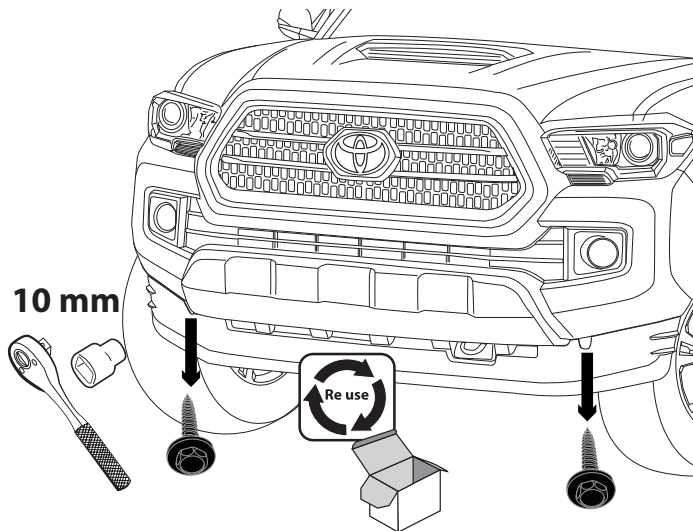


If the DRL's did not turn on immediately when the ignition is on, please wait for a few minutes until the computer resets and then the lights will light up.

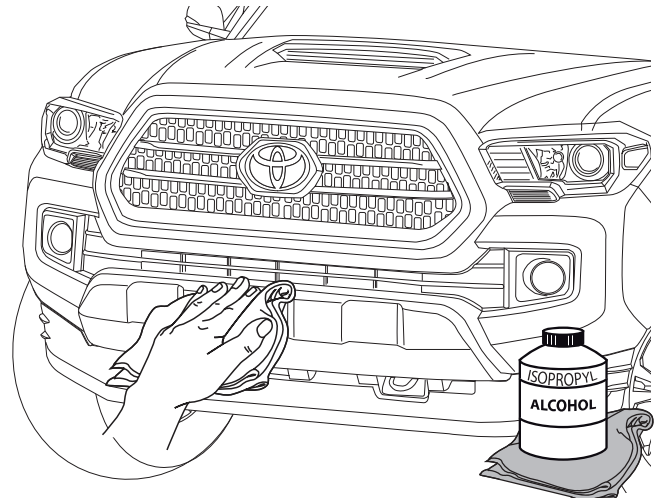


In case the vehicle counts with proximity sensors relocate them following the instructions, otherwise continue with the rest of the manual.

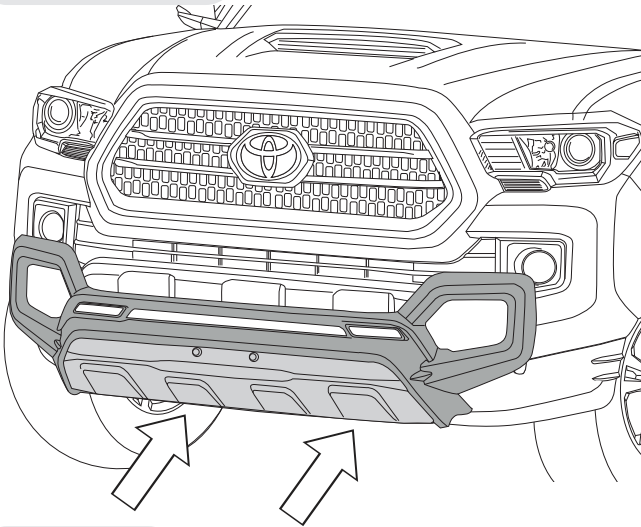
2 REMOVE AND SAVE SCREWS



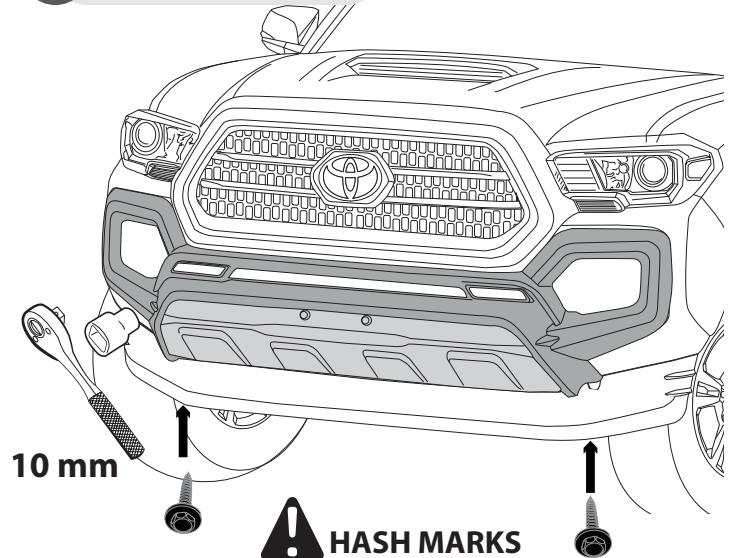
3 SCREW



4 PRE-MOUNT

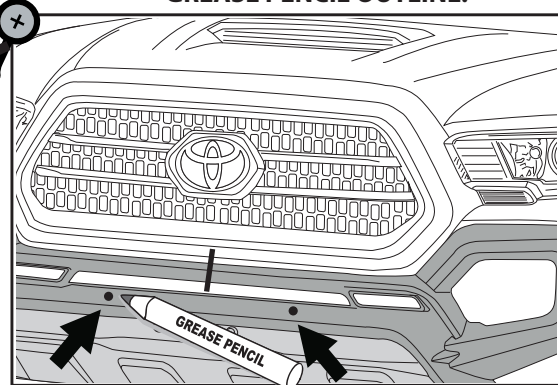
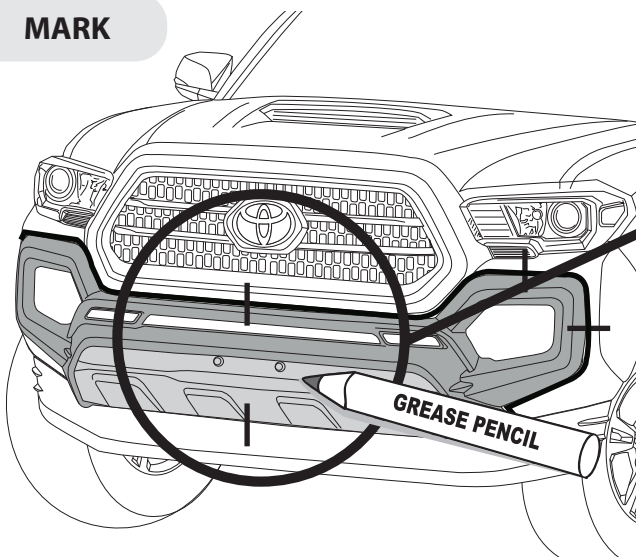


5 SECURE THE PART

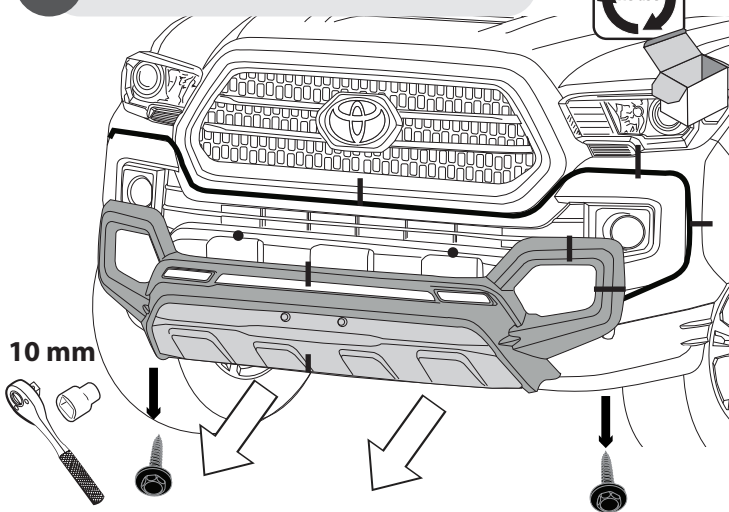


DRAW CENTER HASH MARK WITH GREASE PENCIL ON FRONT BUMPER AND SHEET METAL, THIS WILL ENSURE FRONT BUMPER WILL BE CENTERED TO GREASE PENCIL OUTLINE.

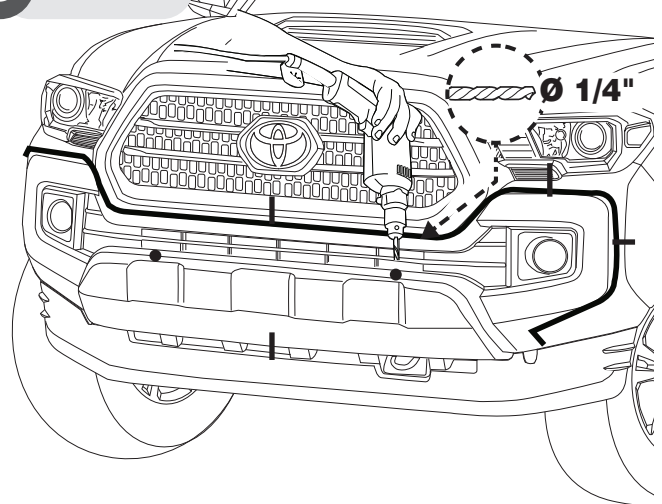
6 MARK

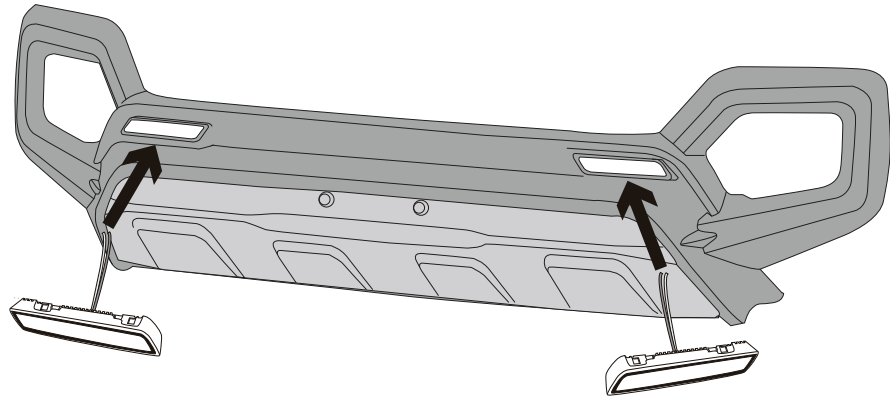


7 REMOVE AND SAVE SCREWS

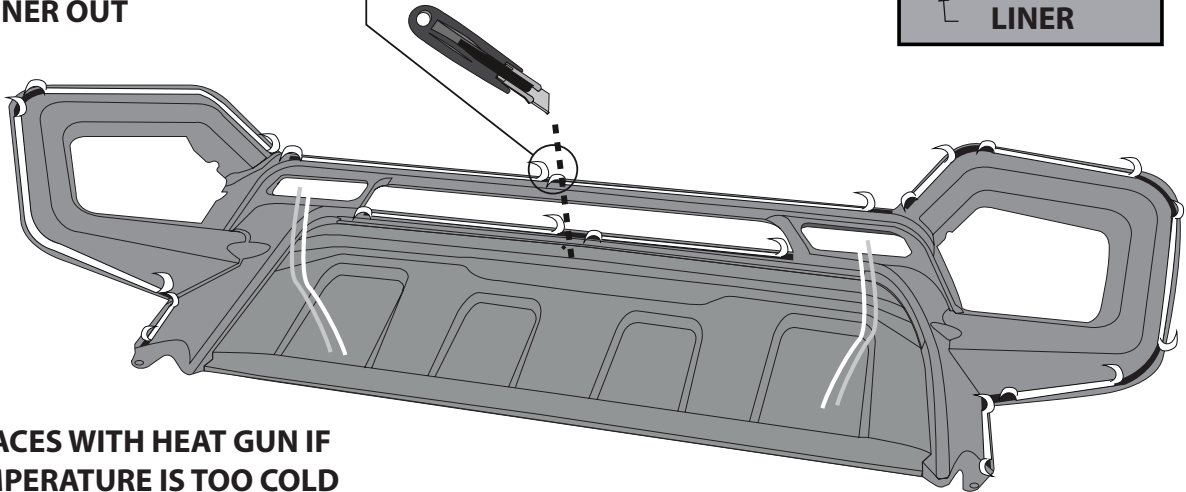
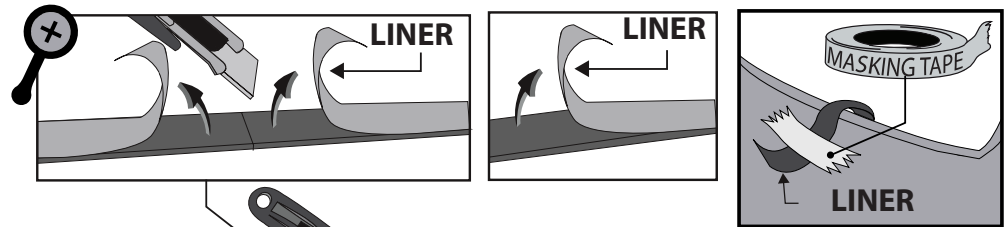


8 DRILL

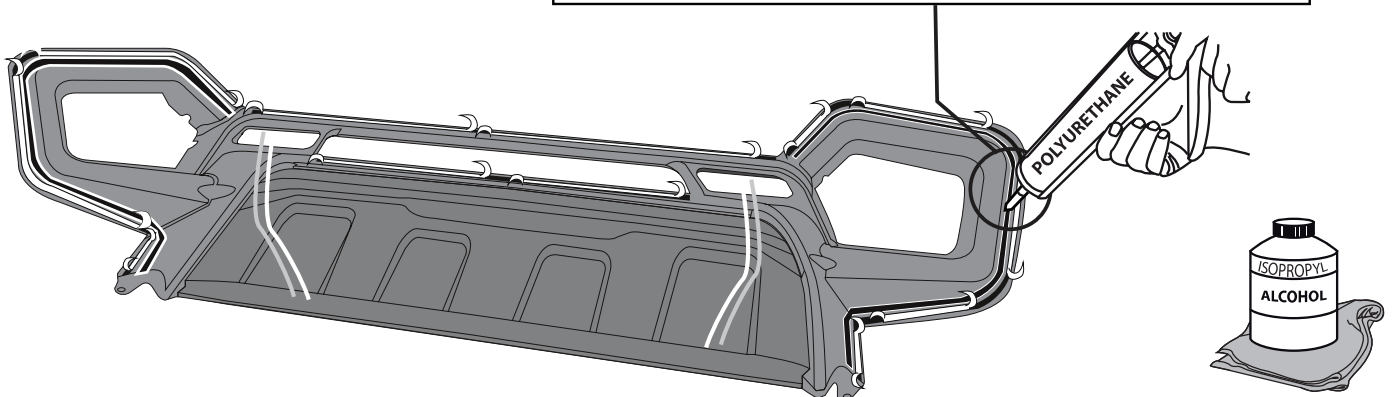
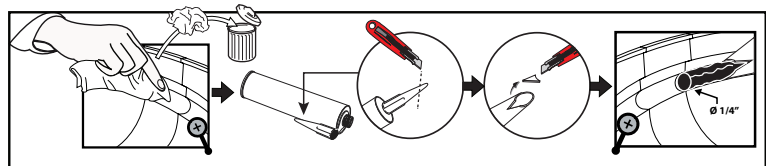


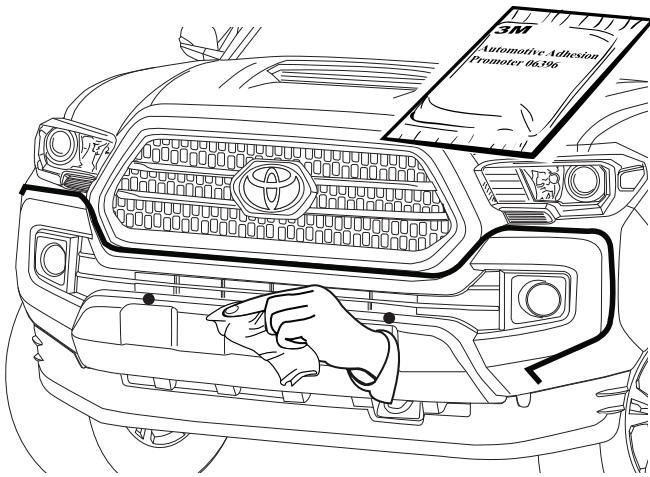
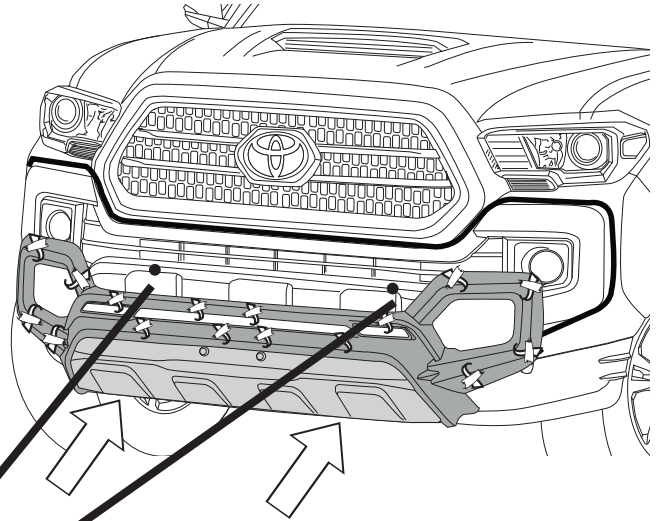
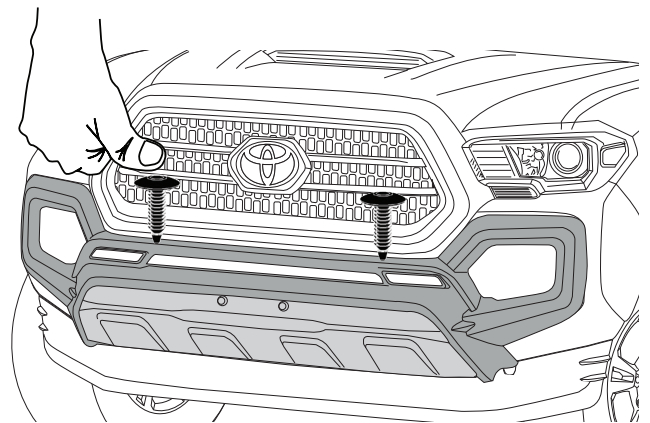
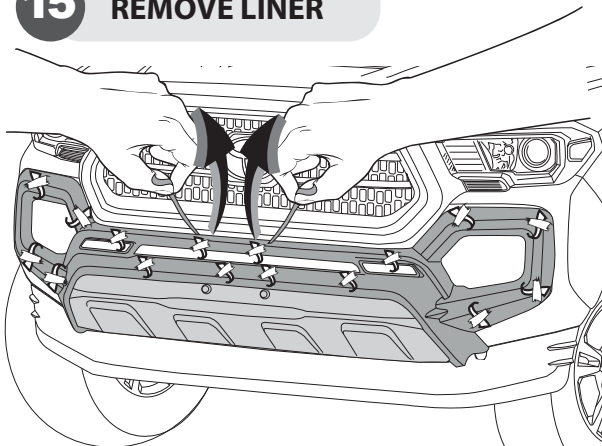
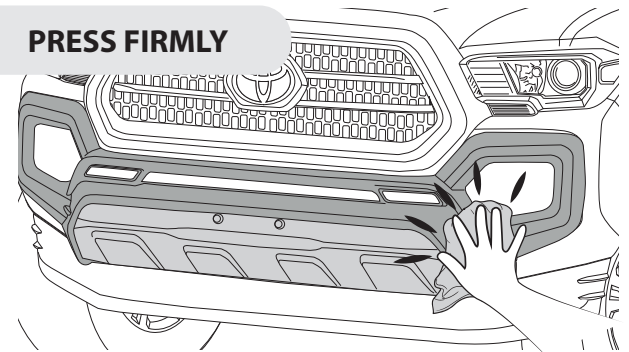
9 MOUNT ON BUMPER

10 PEEL

PEEL
HOLD THE LINER OUT



WARM SURFACES WITH HEAT GUN IF
SURFACE TEMPERATURE IS TOO COLD

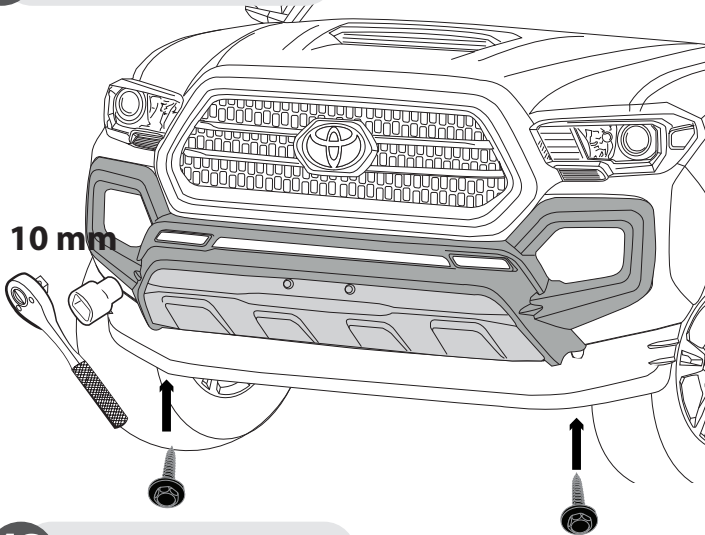
11 APPLY ADHESIVE


INSTALLATION MANUAL**12 ADHESION PROMOTER****13 PLACE****PASS DRL CABLES THROUGH****14 PLACE PUSH PINS****15 REMOVE LINER****16 PRESS FIRMLY**

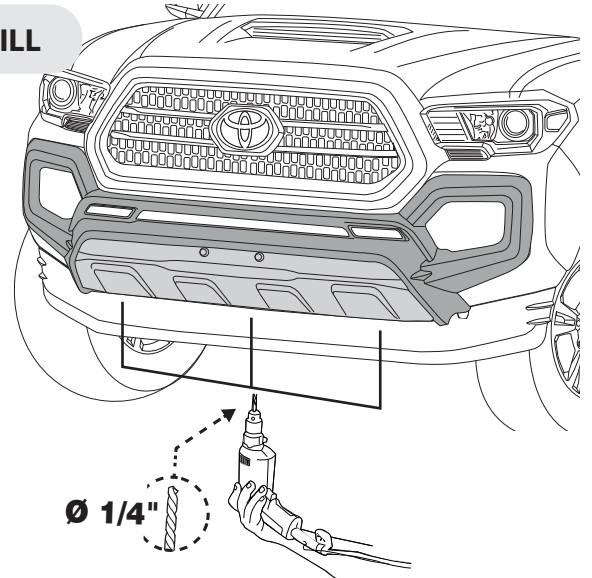
! A full surface contact between tape and substrate is decisive for good adhesion performance. Contact is achieved by applying pressure. In practice a pressure between 40 and 50 N/cm² is usually needed and an application temperature between 25 and 45 °C or 77 and 113 °F is also necessary. During application, add-on parts and tapes must have the similar temperature.

INSTALLATION MANUAL

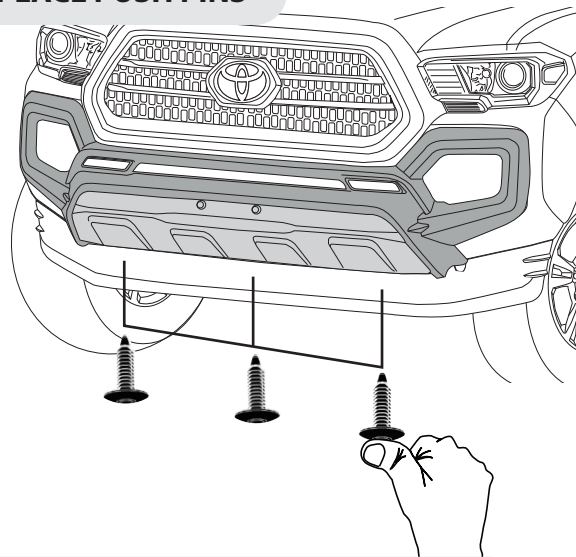
17 SECURE THE PART



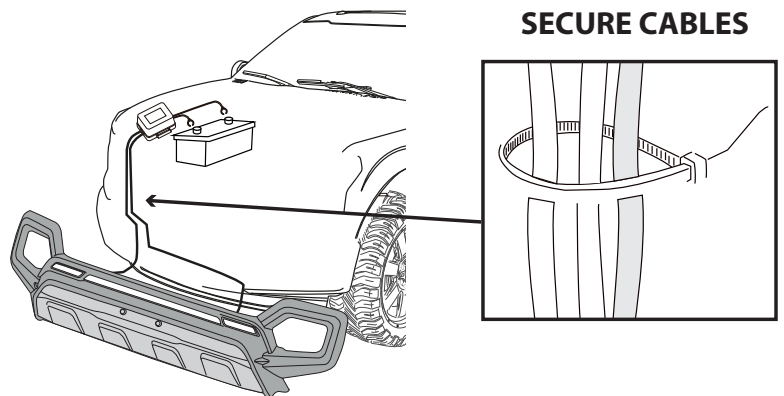
18 DRILL



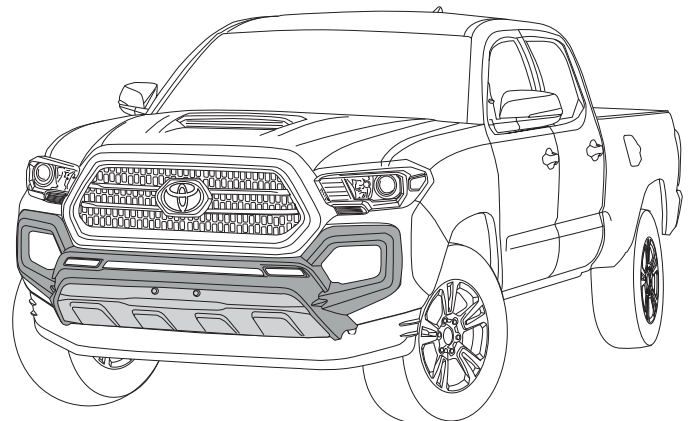
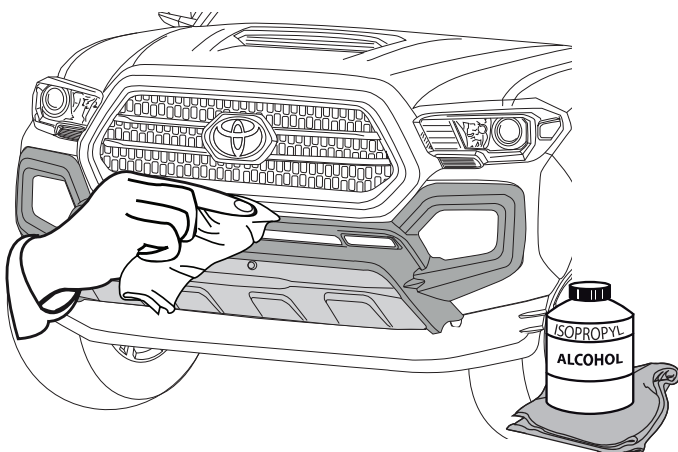
19 PLACE PUSH PINS



20 CONNECT CABLES TO LED DRIVING CONTROL BOX



21 CLEAN OFF GREASE PENCIL MARK



INSTALLED PART